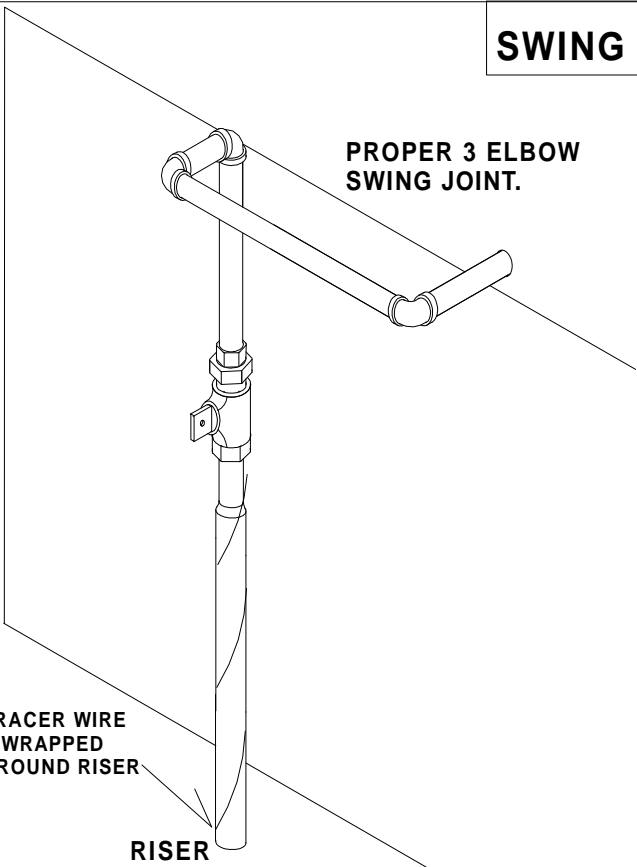


(FIG #1).

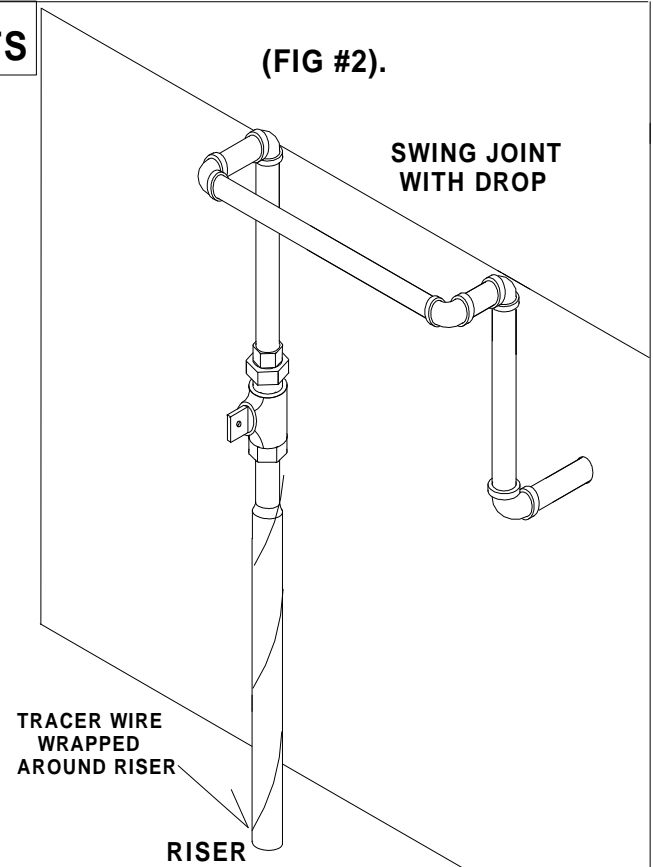
**SWING JOINTS**



**PROPER 3 ELBOW SWING JOINT.**

ALL JOINTS TO BE MADE UP USING TEFLON, CERTIFIED GAS TAPE, (Coloured Yellow), or APPROVED COMPOUND.

(FIG #2).



**SWING JOINT WITH DROP**

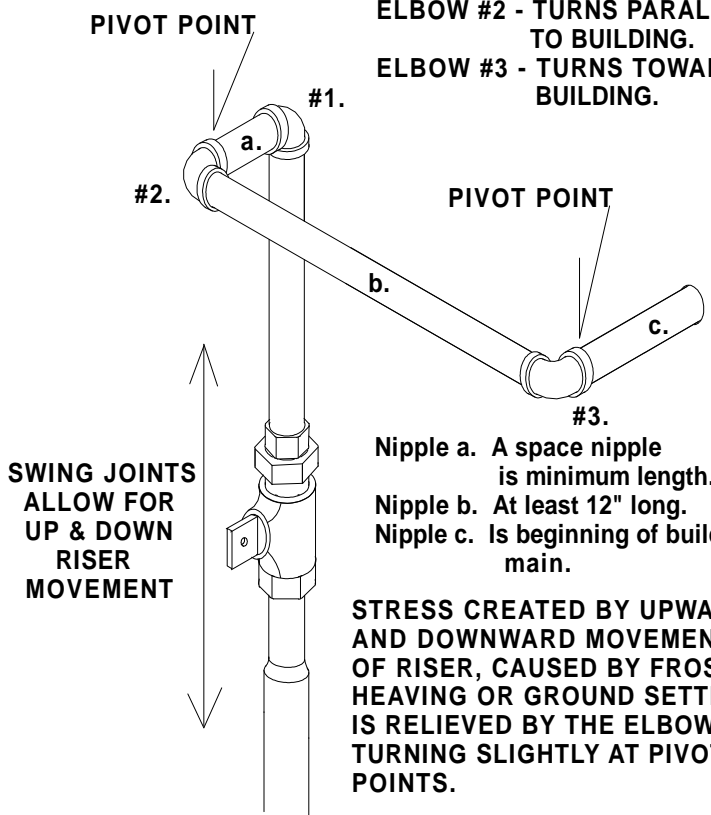
ALL JOINTS TO BE MADE UP USING TEFLON, CERTIFIED GAS TAPE, (Coloured Yellow), or APPROVED COMPOUND.

(FIG #1a).

**PROPER 3 ELBOW SWING JOINT**

How to Assemble and How it Works

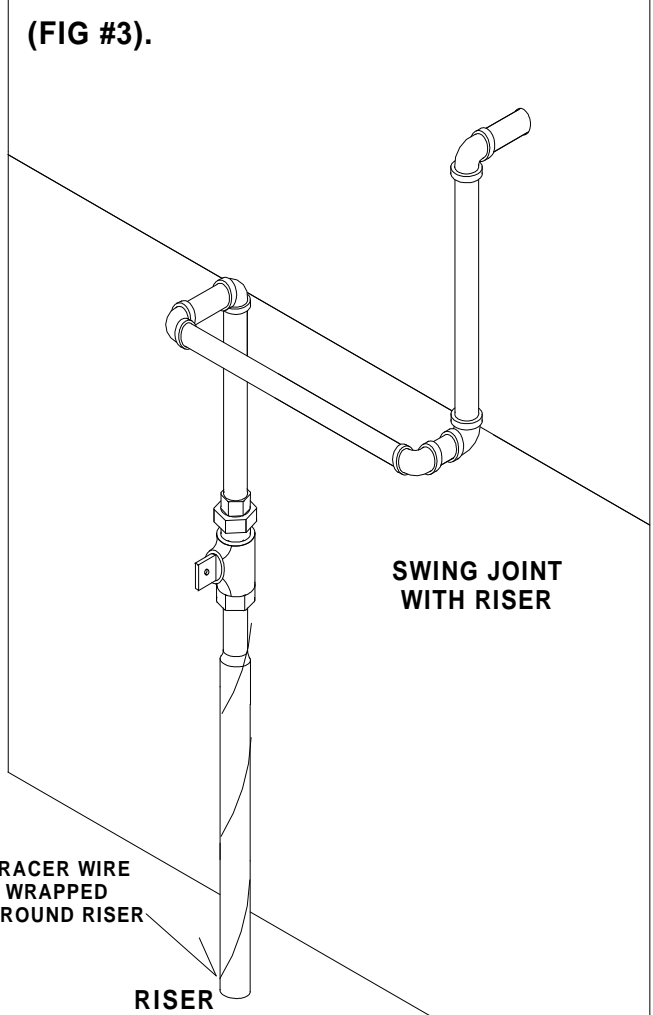
- ELBOW #1 - TURNS AWAY FROM BUILDING.
- ELBOW #2 - TURNS PARALLEL TO BUILDING.
- ELBOW #3 - TURNS TOWARDS BUILDING.



- Nipple a. A space nipple is minimum length.
- Nipple b. At least 12" long.
- Nipple c. Is beginning of building main.

STRESS CREATED BY UPWARD AND DOWNWARD MOVEMENT OF RISER, CAUSED BY FROST HEAVING OR GROUND SETTLING, IS RELIEVED BY THE ELBOWS TURNING SLIGHTLY AT PIVOT POINTS.

(FIG #3).



**SWING JOINT WITH RISER**

ALL JOINTS TO BE MADE UP USING TEFLON, CERTIFIED GAS TAPE, (Coloured Yellow), or APPROVED COMPOUND.