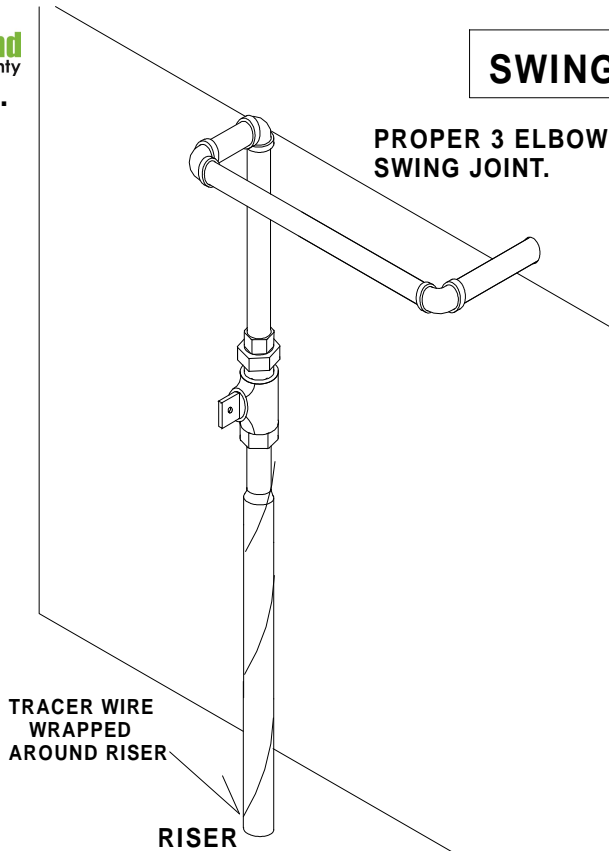
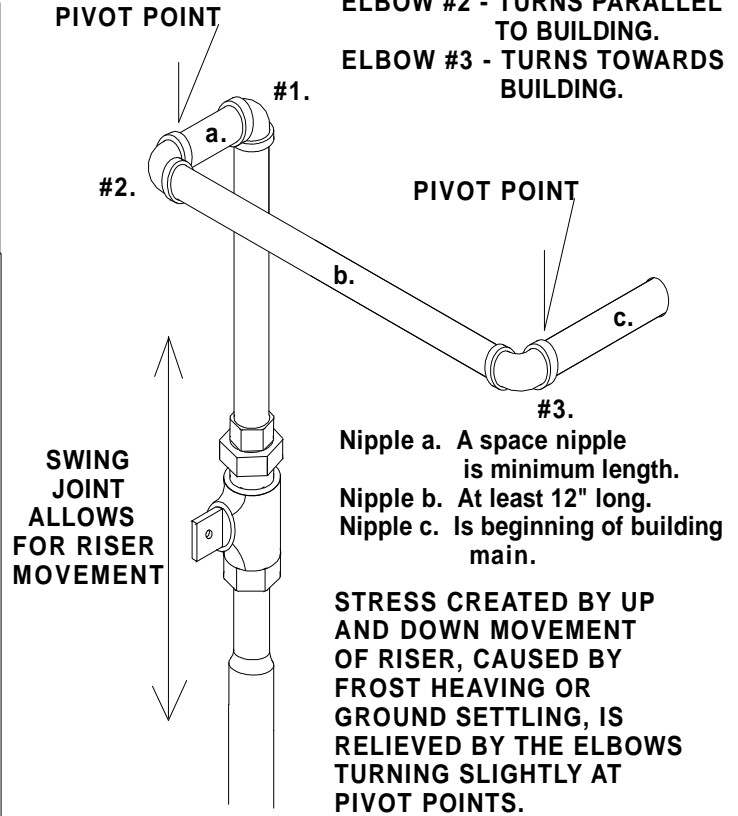


(FIG #1).



**SWING JOINTS**

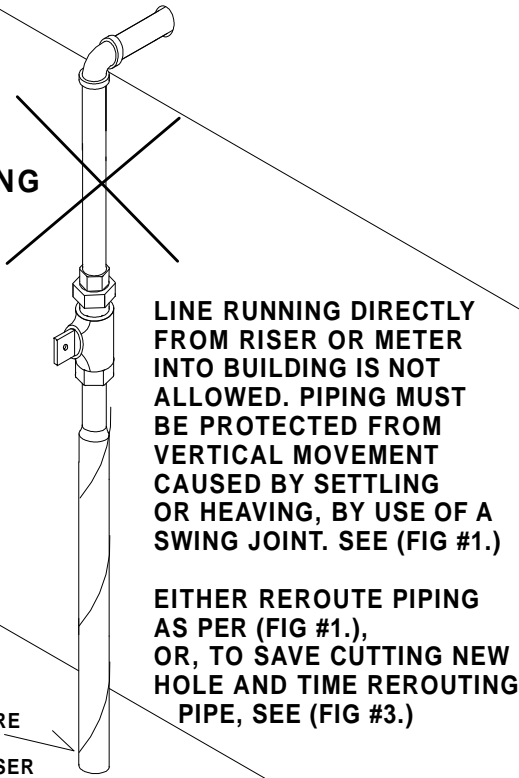
(FIG #1a).



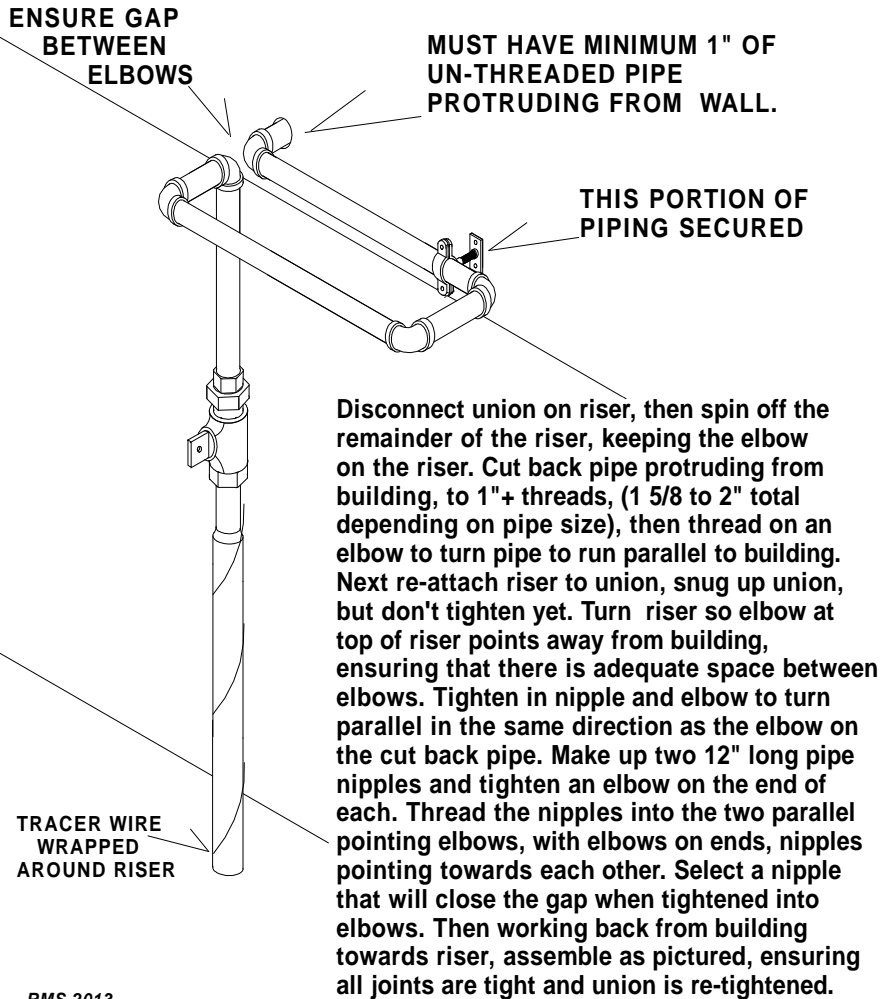
ALL JOINTS TO BE MADE UP USING TEFLON, CERTIFIED GAS TAPE, (Coloured Yellow), or APPROVED COMPOUND.

(FIG #2). COMMON MISTAKE

**WRONG**



(FIG #3). AN ALTERNATE SOLUTION



RMS 2013

NOTE: ALL JOINTS TO BE MADE UP USING TEFLON, CERTIFIED GAS TAPE, (Coloured Yellow), or APPROVED COMPOUND.