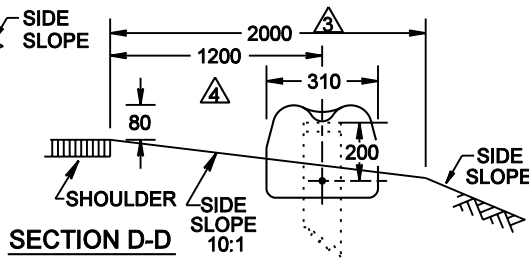
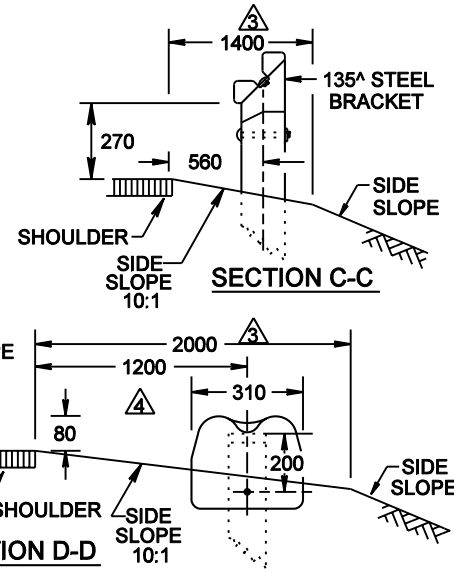
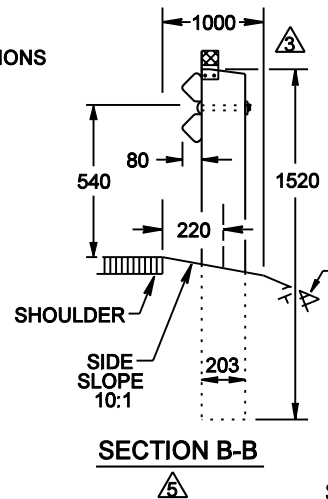
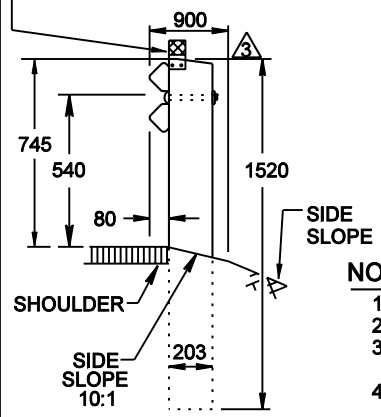


\* LENGTH OF STANDARD STRAIGHT GUARDRAIL IS DETERMINED BY PHYSICAL NEED. STANDARD SPACING IS 3810.  
 REFLECTOR TO BE INSTALLED ON EVERY 3rd POST ON STRAIGHT SECTIONS AFTER SECTION A-A. REFER TO DRAWING TEB 3.01 FOR REFLECTOR DETAILS



**NOTES**

1. ALL DIMENSIONS ARE IN MILLIMETRES UNLESS OTHERWISE SPECIFIED.
2. ALL JOINTS TO BE LAPPED IN THE DIRECTION OF TRAFFIC.
3. TURNED DOWN TERMINALS ARE TO BE USED AT BOTH ENDS OF GUARDRAIL INSTALLATIONS ON 2 LANE UNDIVIDED HIGHWAYS.
4. THE ACCEPTABLE DESIGN RANGE FOR HEIGHT OF GUARDRAIL IS +/- 75mm (TO BE SET BY THE CONSULTANT).
5. THE ACCEPTABLE TOLERANCE FOR HEIGHT OF GUARDRAIL AT TIME OF CONSTRUCTION OR MAINTENANCE IS SHOWN IN THE APPLICABLE SPECIFICATIONS.

No.	REVISIONS	BY	DATE
6	REFLECTOR NOTE REVISED	PM	8 JUL 09
5	REFLECTOR NOTE REVISED	BK	5 JUN 07
4	DIMENSION	BK	12/07/05
3	NOTES AND DIMENSIONS	BK	12/04
2	REVISED NOTE	RD	8/03
1	ADDED NOTE No. 4	TDN	10/98

Approved: \_\_\_\_\_

Executive Director,  
 Technical Standards Branch

Date: December, 1992

**W - BEAM GUARDRAIL  
 WEAK POST END TREATMENT  
 TURN DOWN  
 (3.8m SPACING - NO BLOCK)**

Prepared By: T.S.	Checked By: B.K.	Scale: N.T.S.	Dwg No.: TEB 3.12
-------------------	------------------	---------------	-------------------